

BUNN®

CWTF15-TC

Brew directly into portable insulated servers that keep coffee at optimal flavor for hours

9" x 17.9" x 18.5"

Capacity (Servings/Hour): 62.4
(8 ounces servings)

- Models are space saving 9" wide (22.9cm)
- Accepts thermal carafe up to 8.5" (21.6 cm) tall
- All stainless steel construction
- Pourover Feature
- SplashGard® funnel deflects hot liquids away from the hand
- Use in quick turn environments where high quality coffee is continuously refreshed

Related products

- 20115.0000 Regular Paper Filters 1000/case
- 20583.0003 Funnel
- 30200.1000 EQ-17-TL
- 36029.0000 Thermal Carafe BLK (12pk)
- 36029.0001 Thermal Carafe BLK (1pk)
- 36252.0000 1.9L Thermal Carafe ORNG (12 pk)
- 36252.0001 1.9L Thermal Carafe ORNG (1pk)
- 40163.0000 1.9L Thermal Carafe Blk (1pk)
- 40163.0001 1.9L Thermal Carafe Orng (1pk)

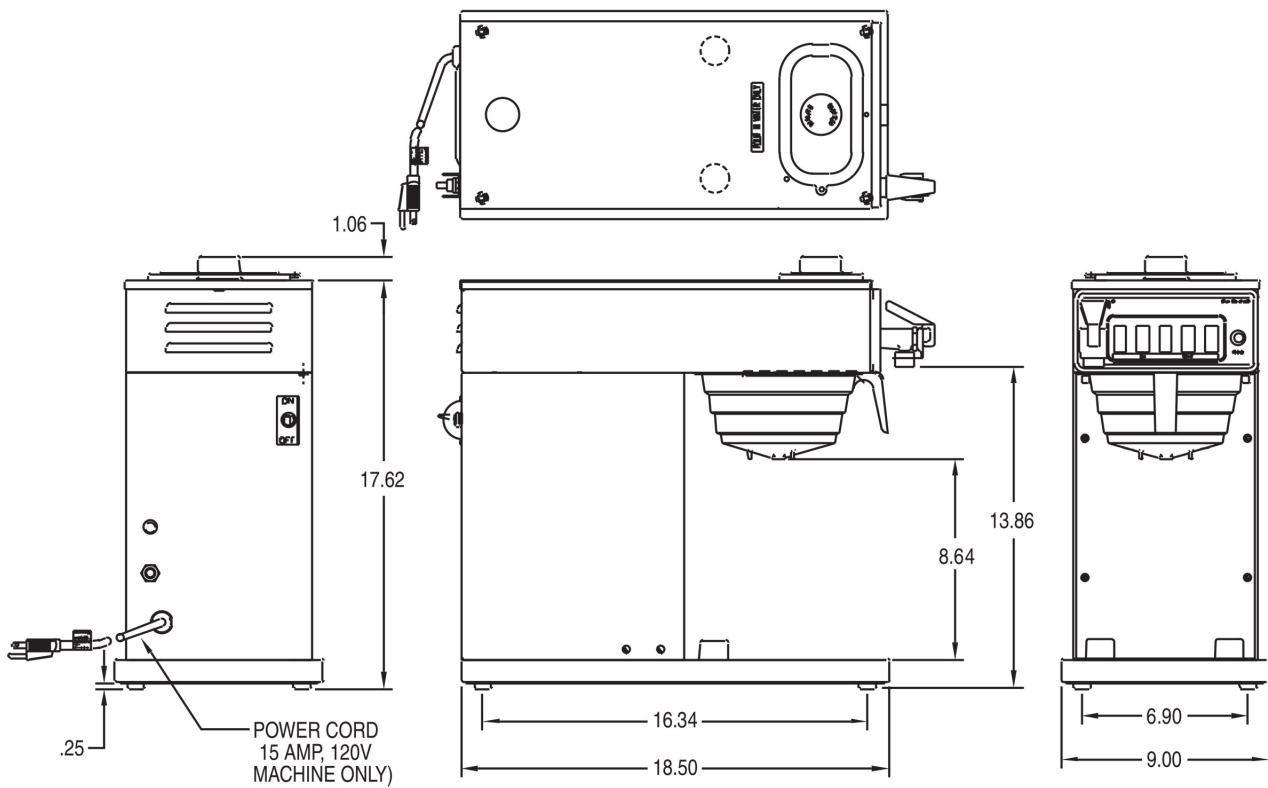


Product No	Channel	Water Access	Electrical (Voltage)	UPC
12950.0360	Amusement and Leisure College and University Convenience Store Full Service Healthcare Lodging and Hospitality Office System Quick Serve Restaurant	Plumbed	120	72504017297
Coffee Server Type	Coffee Capacity Range	Brewer Type	Finish	Number of Wires (+GND)
Thermal Carafe	Low	Automatic Thermal Systems	Stainless	2
Cord Attached	Plug Type	2D Format CAD Available	Minimum Input Pressure	Maximum Input Pressure
Yes	NEMA 5-15P	Yes	20 PSI	90 PSI

Inlet Water Fitting	Faucet Location	Funnel Type	Machine Depth	Machine Width
1/4" Male Flare Fitting	Upper	Black Plastic	18.5 "	9 "

Machine Height	Shipping Box Length	Shipping Box Width	Shipping Box Height	Shipping Weight
17.9 "	12 "	15 "	26 "	32.46 lb

Volume of shipped box
2.71 ft ³



Electric & Capacity

Electrical Configuration Option
 Volts-Factory Wired: 120
 Phase-Factory Wired: 1
 Watts-Factory Wired: 1370

Hertz-Factory Wired: 60
Amps-Factory Wired: 11.4
Capacity (Servings/Hour):62.4

To see illustrated parts manuals, visit bunn.com/support/manuals

BUNN® reserves the right to change specifications and product design without notice. Such revisions do not entitle the buyer to corresponding changes, improvements, additions, or replacements for previously purchased equipment. For most current specifications and other info visit bunn.com. All dimensions shown in inches.