

BUNN®

CWTF15-3 (2U/ 1L Warmer)

Medium volume brewing solution with
simple switch controls

8.5" x 18.9" x 17.8"

Capacity (Servings/Hour): 60.8
(8 ounces servings)

- Model is space-saving 8.5" (21.6cm) wide
- All stainless steel construction
- Hot water faucet and pourover feature
- SplashGard® funnel deflects hot liquids away from the hand

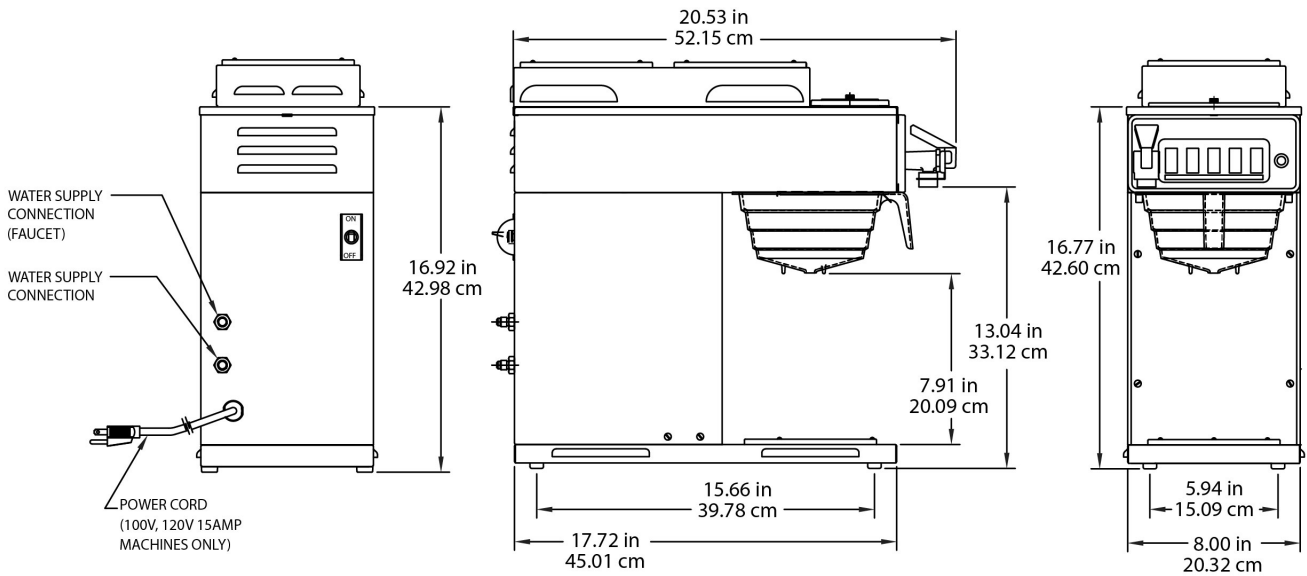
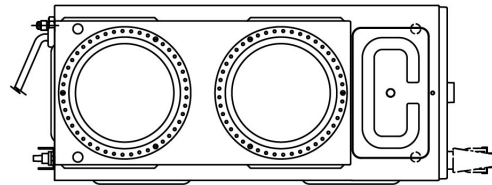
Related products

- 20115.0000 Regular Paper Filters 1000/case
- 20216.0000 Funnel
- 30200.1000 EQ-17-TL
- 30201.1001 ED-17-TL
- 06100.0101 64oz Blk Hndl Easy Pour Decanter(1pk)
- 06100.0102 64oz Blk Hndl Easy Pour Decanter(2pk)
- 06100.0103 64oz Blk Hndl Easy Pour Decanter(3pk)
- 06100.0106 64oz Blk Hndl Easy Pour Decanter(6pk)
- 06100.0112 64oz Blk Hndl Easy Pour Decanter(12pk)
- 06100.0124 64oz Blk Hndl Easy Pour Decanter(24pk)



Product No	Channel	Water Access	Electrical (Voltage)	UPC
12950.0217	Amusement and Leisure College and University Convenience Store Full Service Healthcare Lodging and Hospitality Office System Quick Serve Restaurant	Plumbed	120	72504016092
Coffee Server Type	Coffee Capacity Range	Brewer Type	Number of Warmers	Finish
Decanter	Low	Automatics	Two Upper/ One Lower	Stainless
Funnel Locks	Number of Wires (+GND)	Cord Attached	Plug Type	Additional Features
No	2	Yes	NEMA 5-15P	Pourover Option

2D Format CAD Available	Minimum Input Pressure	Maximum Input Pressure	Inlet Water Fitting	Faucet Location
Yes	20 PSI	90 PSI	1/4" Male Flare Fitting	Upper
Funnel Type	Machine Depth	Machine Width	Machine Height	Shipping Box Length
Stainless Steel	17.8 "	8.5 "	18.9 "	25.3 "
Shipping Box Width	Shipping Box Height	Shipping Weight	Volume of shipped box	
12.9 "	28.8 "	33.81 lb	5.44 ft3	



Electric & Capacity

Electrical Configuration Option

Volts-Factory Wired: 120

Phase-Factory Wired: 1

Watts-Factory Wired: 1670
Hertz-Factory Wired: 60
Amps-Factory Wired: 13.9
Capacity (Servings/Hour):60.8

To see illustrated parts manuals, visit bunn.com/support/manuals

BUNN® reserves the right to change specifications and product design without notice. Such revisions do not entitle the buyer to corresponding changes, improvements, additions, or replacements for previously purchased equipment. For most current specifications and other info visit bunn.com. All dimensions shown in inches.